

LARGE FLOW ACRYLIC FLOWMETERS

Series 7974 & 7975

The Series 7974 and 7975 acrylic flowmeters are useful in a wide varied of applications involving non-corrosive gases where flow rates exceed those of traditional laboratory models. All units have direct reading scales in either liters/minute or cubic feet/minute of air. Correction factors for other gases can be provided.

FEATURES

- Easy to read scales.
- Air ranges from 14 lpm to 3400 lpm (0.5 to 100 scfm).
- Durable one-piece clear acrylic construction.
- Optional built-in cartridge type valve available.

MATERIALS OF CONSTRUCTION

Body: clear acrylic

Fittings: 7974 series - brass

7975 series - PVC

Valve: brass

Seals: Buna-N

SPECIFICATIONS

Max. Operating Pressure: 100 psig

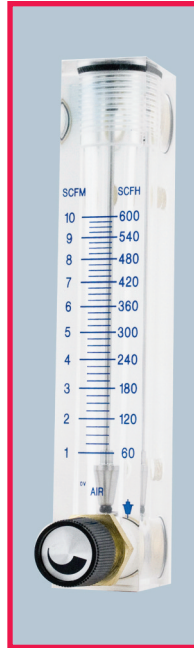
Operating Temp. Range: 0° to +150° F

Body Inlet and Outlet: 7974 - 1/4" NPT female

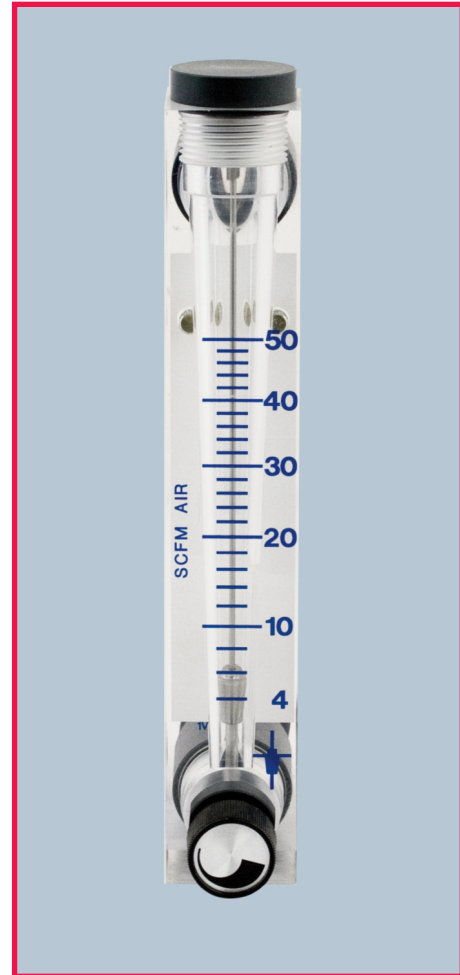
7975 - 1" NPT female

Accuracy: 7974 Series - ±3% of full scale

7975 Series - ±2% of full scale



Series 7974



Series 7975

HOW TO ORDER

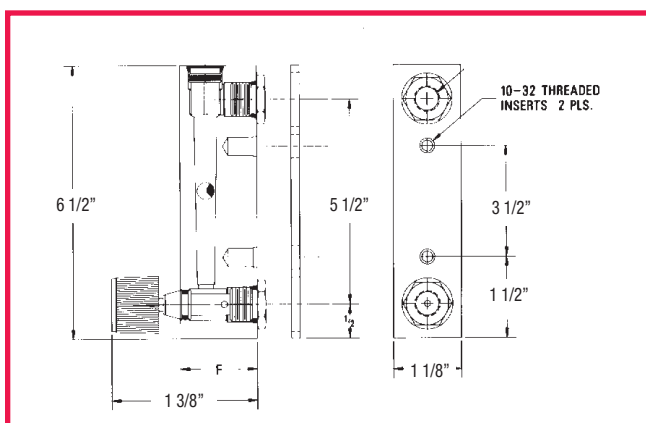
Model Number	Flow Range*
B7974-1	0.5- 5 SCFM
B7974-2	1- 10 SCFM
B7974-3	2- 20 SCFM
B7974-4	14- 140 lpm
B7974-5	30- 280 lpm
B7974-6	60- 560 lpm

Option: Inlet needle valve - add suffix "V" to model number, i.e. 7974V-1

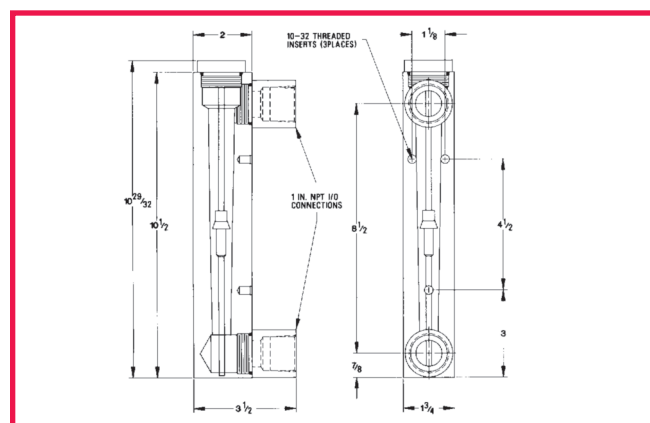
*All calibrations are for air @ 0 psig outlet and 70°F.

Model Number	Flow Range*
7975-1	3- 25 SCFM
7975-2	4- 50 SCFM
7975-3	10- 100 SCFM
7975-4	100- 700 lpm
7975-5	100-1400 lpm
7975-6	400-3400 lpm

Option: Inlet needle valve - add suffix "V" to model number



Series 7974



Series 7975